



Product designation				Power contactor
Product type designation				BG06
Contact characteristics				
Number of poles	Nr.			3
Rated insulation voltage U_i IEC/EN	V			690
Rated impulse withstand voltage U_{imp}	kV			6
Operational frequency	min	Hz		25
	max	Hz		400
IEC Conventional free air thermal current I_{th}	A			16
Operational current I_e	AC-1 (=40°C)	A		16
	AC-3 (=440V =55°C)	A		6
	AC-4 (400V)	A		3.3
Rated operational power AC-3 (T=55°C)	230V	kW		1.5
	400V	kW		2.2
	415V	kW		2.4
	440V	kW		2.5
	500V	kW		3
	690V	kW		3
Rated operational power AC-1 (T=40°C)	230V	kW		6
	400V	kW		10
	500V	kW		13
	690V	kW		18
IEC max current I_e in DC1 with L/R = 1ms with 1 poles in series	=24V	A		9
	48V	A		8
	75V	A		4
	110V	A		3
	220V	A		–
	IEC max current I_e in DC1 with L/R = 1ms with 2 poles in series	=24V	A	
48V		A		11
75V		A		7
110V		A		6
220V		A		–
IEC max current I_e in DC1 with L/R = 1ms with 3 poles in series		=24V	A	
	48V	A		14
	75V	A		8
	110V	A		8
	220V	A		1
IEC max current I_e in DC1 with L/R = 1ms with 4 poles in series				

	=24V	A	–
	48V	A	–
	75V	A	–
	110V	A	–
	220V	A	–
<hr/>			
IEC max current Ie in DC3-DC5 with L/R = 15ms with 1 poles in series	=24V	A	6
	48V	A	5
	75V	A	2
	110V	A	1
	220V	A	–
<hr/>			
IEC max current Ie in DC3-DC5 with L/R = 15ms with 2 poles in series	=24V	A	7
	48V	A	7
	75V	A	4
	110V	A	3
	220V	A	–
<hr/>			
IEC max current Ie in DC3-DC5 with L/R = 15ms with 3 poles in series	=24V	A	9
	48V	A	9
	75V	A	5
	110V	A	4
	220V	A	0,5
<hr/>			
IEC max current Ie in DC3-DC5 with L/R = 15ms with 4 poles in series	=24V	A	–
	48V	A	–
	75V	A	–
	110V	A	–
	220V	A	–
<hr/>			
Short-time allowable current for 10s (IEC/EN60947-1)		A	96
<hr/>			
Protection fuse	gG (IEC)	A	16
	aM (IEC)	A	6
<hr/>			
Making capacity (RMS value)		A	92
<hr/>			
Breaking capacity at voltage	440V	A	72
	500V	A	72
	690V	A	72
<hr/>			
Resistance per pole (average value)		m?	10
<hr/>			
Power dissipation per pole (average value)	Ith	W	2.6
	AC3	W	0.36
<hr/>			
Tightening torque for terminals	min	Nm	0.8
	max	Nm	1
	min	Ibin	9
	max	Ibin	9
<hr/>			
Tightening torque for coil terminal	min	Nm	0.8
	max	Nm	1
	min	Ibin	9
	max	Ibin	9
<hr/>			
Max number of wires simultaneously connectable		Nr.	2

Conductor section			
AWG/Kcmil		max	12
Flexible w/o lug conductor section			
		min	mm ² 0.75
		max	mm ² 2.5
Flexible c/w lug conductor section			
		min	mm ² 1.5
		max	mm ² 2.5
Flexible with insulated spade lug conductor section			
		min	mm ² 1.5
		max	mm ² 2.5
Power terminal protection according to IEC/EN 60529			IP20 when wired
Mechanical features			
Operating position			
		normal allowable	Vertical plan ±30°
Fixing			Screw / DIN rail 35mm
Weight			g 186
Conductor section			
AWG/kcmil conductor section		max	12
Auxiliary contact characteristics			
Thermal current I _{th}			A 10
IEC/EN 60947-5-1 designation			A600 - Q600
Operating current AC15			
	230V	A	3
	400V	A	1.9
	500V	A	1.4
Operating current DC12			
	110V	A	2.9
Operating current DC13			
	24V	A	2.9
	48V	A	1.4
	60V	A	1.2
	110V	A	0.6
	125V	A	0.55
	220V	A	0.3
	600V	A	0.1
Operations			
Mechanical life			cycles 2000000
Electrical life			cycles 500000
Safety related data			
Performance level B10d according to EN/ISO 13489-1			
	rated load	cycles	500000
	mechanical load	cycles	20000000
Mirror contacts according to IEC/EN 60947-4-1			yes
EMC compatibility			yes
AC coil operating			
Rated AC voltage at 60Hz			V 230
AC operating voltage			
of 60Hz coil powered at 60Hz			

pick-up	min	%Us	75
	max	%Us	115
drop-out	min	%Us	20
	max	%Us	55

AC average coil consumption at 20°C
of 50/60Hz coil powered at 50Hz

in-rush	VA	30
holding	VA	4

of 50/60Hz coil powered at 60Hz

in-rush	VA	25
holding	VA	3

of 60Hz coil powered at 60Hz

in-rush	VA	30
holding	VA	4

Dissipation at holding =20°C 50Hz W 0.95

Max cycles frequency

Mechanical operation cycles/h 3600

Operating times

Average time for Us control
in AC

Closing NO	min	ms	12
	max	ms	21
Opening NO	min	ms	9
	max	ms	18
Closing NC	min	ms	17
	max	ms	26
Opening NC	min	ms	7
	max	ms	17

in DC

Closing NO	min	ms	18
	max	ms	25
Opening NO	min	ms	2
	max	ms	3
Closing NC	min	ms	3
	max	ms	5
Opening NC	min	ms	11
	max	ms	17

UL technical data

Full-load current (FLA) for three-phase AC motor

at 480V	A	4.8
at 600V	A	3.9

Yielded mechanical performance

for single-phase AC motor

110/120V	HP	0.3
----------	----	-----

	230V	HP	1
for three-phase AC motor			
	200/208V	HP	1.5
	220/230V	HP	2
	460/480V	HP	3
	575/600V	HP	3

General USE

Contactor	AC current	A	16
Short-circuit protection fuse, 600V			
High fault	Short circuit current	kA	100
	Fuse rating	A	30
	Fuse class	J	

Standard fault	Short circuit current	kA	5
	Fuse rating	A	30

Contact rating of auxiliary contacts according to UL A600 - Q600

Ambient conditions

Temperature

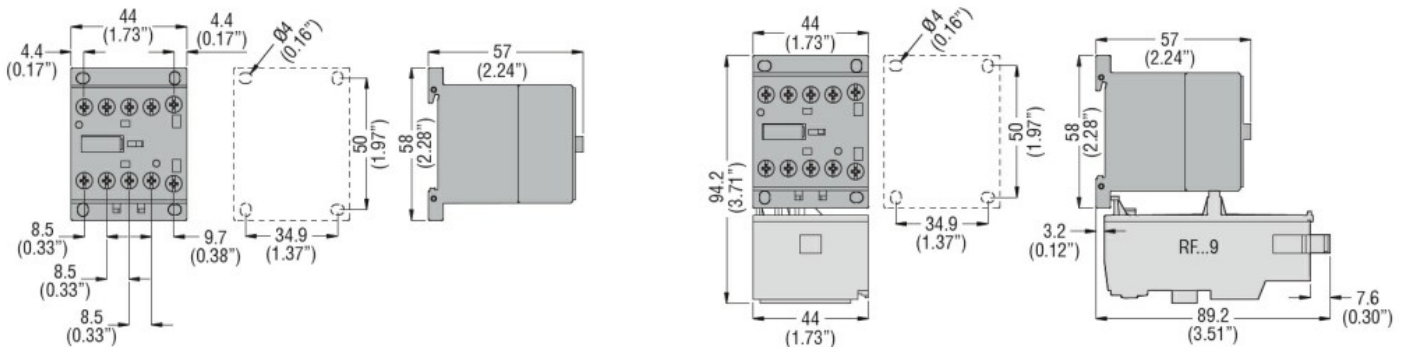
Operating temperature	min	°C	-50
	max	°C	+70
Storage temperature	min	°C	-60
	max	°C	+80

Max altitude m 3000

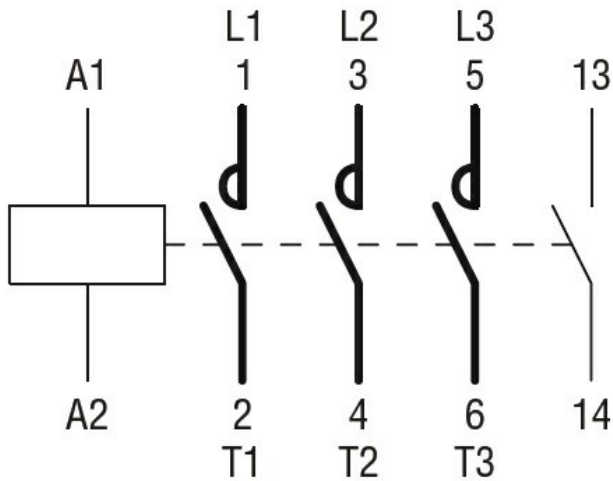
Resistance & Protection

Pollution degree 3

Dimensions



Wiring diagrams



Certifications and compliance

Compliance

CSA C22.2 n° 60947-1

CSA C22.2 n° 60947-4-1

IEC/EN 60947-1

IEC/EN 60947-4-1

UL 60947-1

UL 60947-4-1

Certificates

CCC

cULus

EAC

ETIM classification

ETIM 8.0

EC000066 -
 Power contactor,
 AC switching